

# No More Dust!

**Great for :**  
**Hospitals!**  
**Schools!**  
**Offices!**

**DUST COLLECTING PAD**



Without Dust Collecting Pad



With Dust Collecting Pad

## Applications

- Prevents Dust from Scattering
- Hooks to a regular shop vac
- Use it wet or dry
- Easy to use and saves time

## For Use in

- Any drilling application that creates dust.
- Hospitals, schools and offices.

## Specifications

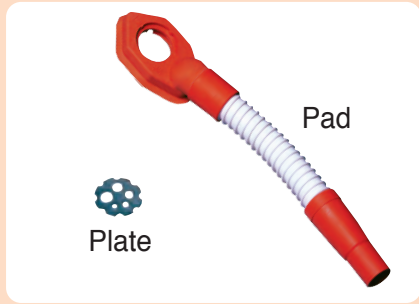
(US\$)

Item	Part No.	Sugg. List	Drill Diameter
Dust Collecting Pad 38	SJP038	49.80	Dust Collecting Pad "038" for Dia. 1-1/2" and below
Dust Collecting Pad 80	SJP080	59.80	Dust Collecting Pad "080" for Dia. 3-1/8" and below
Dust Collecting Pad V	SJPV	167.54	Dust Collecting Pad "V" for Dia. 6-1/2" and below
Dust Collecting Pad L	SJPL	214.68	Dust Collecting Pad "L" for Dia. 1-1/2" to 8-5/8"
Plate 38 ( Metallic )	SJP038P	8.48	Dust Collecting Adjust Plate for SJP038
Plate 80 ( Rubber )	SJP080P	10.44	Dust Collecting Adjust Plate for SJP080
Plate V ( Rubber )	SJPVA	26.18	Dust Collecting Adjust Plate V
Plate L ( Rubber )	SJPLA		Dust Collecting Adjust Plate L

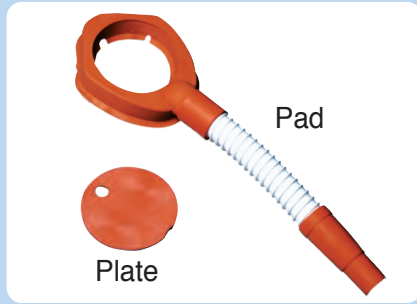
# DUST COLLECTING PAD



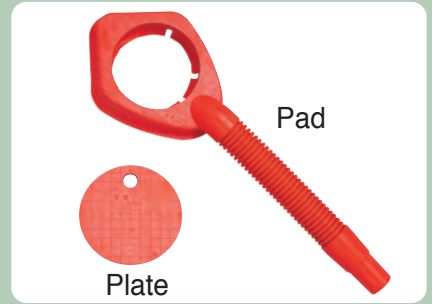
## Dust Collecting Pad 38



## Dust Collecting Pad 80

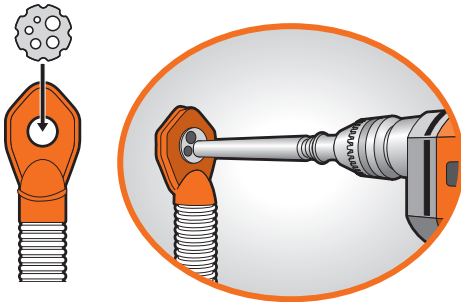


## Dust Collecting Pad V / L



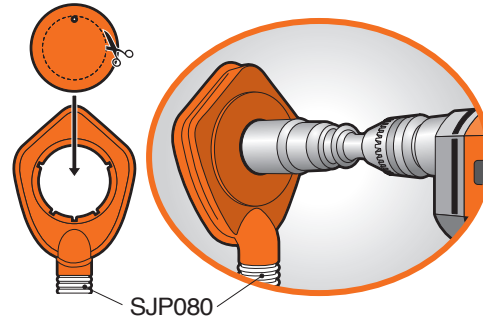
### When using a drill bit with small diameter

( Dust Collecting Pad 38 )

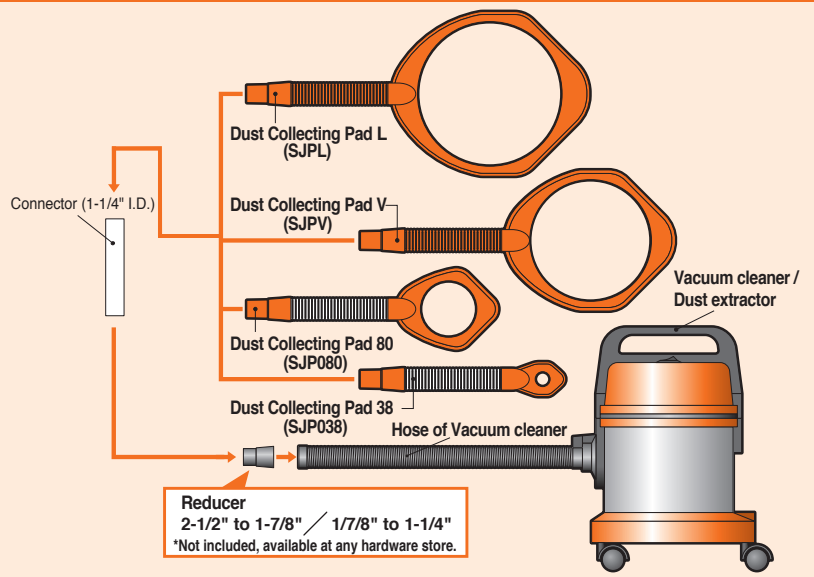


### When using Core bits or Holesaw

( Dust Collecting Pad 80 V · L )



## Connecting Instructions



**Reducer :**  
\*Not included, available at any hardware store.

Using 1-7/8" to 1-1/4" reducer

Using 2-1/2" to 1-7/8" reducer



**MIYANAGA America Corp.**

1010 W. Republic Dr. Unit 1  
Addison, Illinois 60101 USA  
Tel:(630)359-5795 Fax:(630)359-5806

**MIYANAGA CO.,LTD**

Registered office and Factory-Japan  
Representative Office-Europe

